

**TCM**

*Innovative Machine*  
**INOMA**



**Engine-Powered Forklift Trucks**

**2.0-3.5 ton**

(Counter-Balanced Type)

**SPECIFICATIONS**

**STANDARD SPECIFICATIONS**

1	Manufacturer		TCM						
	2	Model	FG20C3	FG20T3	FG25C3	FG25T3			
3	Load Capacity	kg	2000		2500				
		mm	500		500				
		5	Power Type	Gasoline		Gasoline			
		6	Operator Position	Seated		Seated			
		7	Tire Type	Front / Rear	Pneumatic		Pneumatic		
				8	Wheels (x = driven)	2X / 2		2X / 2	
		9	Maximum Fork Height	mm	3000		3000		
		10	Free Lift	mm	110		110		
		13	Fork Size	L x W x T	1070 x 122 x 40		1070 x 122 x 40		
				14	Fork Spread (Outside)	1020 / 244		1020 / 244	
		14	Tilt Angle	Fwd. / Bwd.	6 / 12		6 / 12		
				15	Length to Fork Face	2485		2555	
		16	Overall Width	mm	1150		1150		
		17	Mast Height Fork Lowered	mm	2030		2030		
		18	Mast Height Fork Raised	mm	4030		4030		
		19	Overhead Guard Height(EXB,EXK)	mm	2070		2070		
				20	Overhead Guard Height(EXC,EXE,EXN)	2130		2130	
		20	Operator's Seat Height	mm	1045		1045		
		21	Turning Radius (Outside)	mm	2170		2240		
		22	Load Distance (Centerline of front axle to front face of forks)	mm	450		450		
				23	Rear Overhang	435		505	
		23	Basic Right Angle Stacking Aisle Width	mm	3890		3960		
		24	Speeds	Travel, Max. (Fwd. / Rvs.)	Full Load	km/h	18.5		
No Load	km/h				19				
Lifting	Full Load			mm/sec	540		540		
	No Load			mm/sec	580		580		
Lowering	Full Load			mm/sec	450		450		
	No Load			mm/sec	550		550		
28	Max. Drawbar Pull			Full Load	kN	12.3		16.7	
				No Load	kN	8.3		8.3	
30	Max. Gradeability*			Full Load	%	20		28	
				No Load	%	20		20	
32	Total Weight	kg	3210		3570				
33	Weight Distribution	Full Load	Front	kg	4610		5350		
			Rear	kg	600		720		
34	No Load	Front	kg	1430		1370			
		Rear	kg	1780		2200			
35	Tires	Number	2 / 2		2 / 2				
36	Size	Front	7.00-12-12PR(I)		7.00-12-12PR(I)				
		Rear	6.00-9-10PR(I)		6.00-9-10PR(I)				
37	Wheelbase	mm	1600		1600				
39	Tread	Front	mm	970		970			
		Rear	mm	970		970			
40	Backrest Height	mm	1000		1000				
41	Overhead Guard Clearance	mm	1005		1005				
42	Counterweight Height	mm	1110		1110				
43	Drawbar Pin Center Height	mm	530		530				
44	Step Height / Floor Height	mm	435 / 650		435 / 650				
40	Underclearance	Min. with Load	mm	110		110			
		41	Center of Wheelbase	mm	120		120		
42	Brake	Service (Foot)	Hydraulic-Foot pedal		Hydraulic-Foot pedal				
		43	Parking	Mechanical-Hand lever		Mechanical-Hand lever			
45	Battery	V/AH	12 / 30		12 / 30				
49	Internal Combustion Engine	Make / Model	NISSAN / K21		NISSAN / K21				
		50	Rated Horsepower / r.p.m.	34.6 / 2250		34.6 / 2250			
		51	Rated Torque / r.p.m.	153.5 / 1600		153.5 / 1600			
		52	Number of Cylinder	4		4			
		Piston Displacement	cc	2065		2065			
		53	Alternator output	kW/Amp	0.60 / 50		0.60 / 50		
54	Fuel Tank Capacity Type	liter	70		70				
		55	Transmission	Type	Manual	Power-shift	Manual	Power-shift	
56	Stage	Fwd.-Rvs.	2-2		1-1				
		57	Operating Pressure	For Attachments	MPa	17.7			

NOTE : \* Computed values.

		TCM								
		FG30C3	FG30T3	FHG20C3	FHG20T3	FHG25C3	FHG25T3	FHG30C3	FHG30T3	FG35T3S
		3000		2000		2500		3000		3500
		500		500		500		500		500
		Gasoline		Gasoline		Gasoline		Gasoline		Gasoline
		Seated		Seated		Seated		Seated		Seated
		pneumatic		pneumatic		pneumatic		pneumatic		Pneumatic
		2X / 2		2X / 2		2X / 2		2X / 2		2X / 2
		3000		3000		3000		3000		3000
		165		110		110		165		170
		1070 x 125 x 45		1070 x 122 x 40		1070 x 122 x 40		1070 x 125 x 45		1070 x 150 x 50
		1090 / 250		1020 / 244		1020 / 244		1090 / 250		1090 / 300
		6 / 12		6 / 12		6 / 12		6 / 12		6 / 12
		2705		2485		2555		2705		2800
		1225		1150		1150		1225		1290
		2075		2030		2030		2075		2135
		4260		4030		4030		4260		4255
		2090		2070		2070		2090		2140
		2150		2130		2130		2150		2200
		1070		1045		1045		1070		1120
		2400		2170		2240		2400		2470
		480		450		450		480		495
		525		435		505		525		605
		4150		3890		3960		4150		4265
		19		18.5		18.5		19		18.5
		19.5		19		19		19.5		19
		440		600		600		500		400
		490		620		620		520		450
		450		450		450		450		420
				550		550				450
		10.8	14.2	14.2	22.1	14.2	22.1	12.7	19.6	17.0
		9.8		8.3		8.3		9.8		9.8
		14	18	24	36	21	33	18	24	17
		20		20		18		20		16
		4250		3230		3580		4260		4820
		6350		4630		5350		6350		7235
		900		600		730		910		1085
		1620		1450		1370		1620		1685
		2630		1780		2210		2640		3135
		2 / 2		2 / 2		2 / 2		2 / 2		2 / 2
		28x9-15-12PR(I)		7.00-12-12PR(I)		7.00-12-12PR(I)		28X9-15-12PR(I)		250-15-16PR(I)
		6.50-10-10PR(I)		6.00-9-10PR(I)		6.00-9-10PR(I)		6.50-10-10PR(I)		6.50-10-12PR(I)
		1700		1600		1600		1700		1700
		1000		970		970		1000		1060
		970		970		970		970		970
		1220		1000		1000		1220		1220
		1005		1005		1005		1005		1005
		1130		1110		1110		1130		1180
		560		530		530		560		610
		460 / 680		435 / 650		435 / 650		460 / 680		485 / 730
		140		110		110		140		125
		145		120		120		145		190
		Hydraulic-Foot pedal		Hydraulic-Foot pedal		Hydraulic-Foot pedal		Hydraulic-Foot pedal		Hydraulic-Foot pedal
		Mechanical-Hand lever		Mechanical-Hand lever		Mechanical-Hand lever		Mechanical-Hand lever		Mechanical-Hand lever
		12 / 30		12 / 30		12 / 30		12 / 30		12 / 30
		NISSAN / K21		NISSAN / K25		NISSAN / K25		NISSAN / K25		NISSAN / K25
		34.6 / 2250		39.5 / 2100		39.5 / 2100		39.5 / 2100		39.5 / 2100
		153.5 / 1600		188.1 / 1600		188.1 / 1600		188.1 / 1600		188 / 1600
		4		4		4		4		4
		2065		2488		2488		2488		2488
		0.60 / 50		0.60 / 50		0.60 / 50		0.60 / 50		0.60 / 50
		70		70		70		70		70
		Manual	Power-shift	Manual	Power-shift	Manual	Power-shift	Manual	Power-shift	Power-shift
		2-2	1-1	2-2	1-1	2-2	1-1	2-2	1-1	1-1
		17.7		17.7		17.7		17.7		17.7

**STANDARD SPECIFICATIONS**

1	Manufacturer		TCM							
	Model		FD20C3Z	FD20T4	FD25C3Z	FD25T4	FD30C3Z	FD30T4		
3	Load Capacity		2000		2500		3000			
4	Load Center		500		500		500			
5	Power Type		Diesel		Diesel		Diesel			
6	Operator Position		Seated		Seated		Seated			
7	Tire Type	Front / Rear	Pneumatic		Pneumatic		Pneumatic			
8	Wheels (x = driven)	Front / Rear	2X / 2		2X / 2		2X / 2			
9	Maximum Fork Height		3000		3000		3000			
10	Free Lift		110		110		165			
13	Fork Size	L x W x T	1070 x 122 x 40		1070 x 122 x 40		1070 x 125 x 45			
	Fork Spread (Outside)	Max. / Min.	1020 / 245		1020 / 245		1090 / 250			
14	Tilt Angle	Fwd. / Bwd.	6 / 12		6 / 12		6 / 12			
15	Length to Fork Face		2485		2555		2705			
16	Overall Width		1150		1150		1225			
17	Mast Height Fork Lowered		2030		2030		2075			
18	Mast Height Fork Raised		4030		4030		4250			
19	Overhead Guard Height(EXB,EXK)		2070		2070		2090			
	Overhead Guard Height(EXC,EXE,EXN)		2130		2130		2150			
20	Operator's Seat Height		1045		1045		1070			
21	Turning Radius (Outside)		2170		2240		2400			
22	Load Distance (Centerline of front axle to front face of forks)		450		450		480			
	Rear Overhang		435		505		525			
23	Basic Right Angle Stacking Aisle Width		3890		3960		4150			
24	Speeds	Travel, Max. (Fwd. / Rvs.)	Full Load	km/h	17.5	18	17.5	18	18.5	19
			No Load	km/h	18	18.5	18	18.5	19	19.5
		Lifting	Full Load	mm/sec	530	560	530	560	450	460
			No Load	mm/sec	570	600	570	600	460	490
26	Lowering	Full Load	mm/sec	450		450		450		
		No Load	mm/sec	550		550		450		
28	Max. Drawbar Pull	Full Load	kN	11.7	16.7	11.7	16.7	10.8	14.7	
		No Load	kN	8.3		8.3		9.8		
30	Max. Gradeability*	Full Load	%	21	28	18	23	15	19	
		No Load	%	20		18		20		
32	Total Weight		3320		3680		4370			
33	Weight Distribution	Full Load	Front	kg	4670		5400		6420	
			Rear	kg	650		780		950	
34	No Load	Front	kg	1490		1420		1690		
		Rear	kg	1830		2260		2680		
35	Tires	Number	2 / 2		2 / 2		2 / 2			
36	Size	Front	7.00-12-12PR(I)		7.00-12-12PR(I)		28 x 9-15-12PR(I)			
		Rear	6.00-9-10PR(I)		6.00-9-10PR(I)		6.50-10-10PR(I)			
38	Wheelbase		1600		1600		1700			
39	Tread	Front	970		970		1000			
		Rear	970		970		970			
	Backrest Height		1000		1000		1220			
	Overhead Guard Clearance		1005		1005		1005			
	Counterweight Height		1110		1110		1130			
	Drawbar Pin Center Height		530		530		560			
	Step Height / Floor Height		435 / 650		435 / 650		460 / 680			
40	Underclearance	Min. with Load	110		110		140			
41		Center of Wheelbase	120		120		145			
42	Brake	Service (Foot)	Hydraulic-Foot pedal		Hydraulic-Foot pedal		Hydraulic-Foot pedal			
43		Parking	Mechanical-Hand lever		Mechanical-Hand lever		Mechanical-Hand lever			
45	Battery		Voltage / Capacity (5HR)		V/AH		12 / 55 12 / 64			
49	Make / Model		ISUZU C240	KUBOTA V2403	ISUZU C240	KUBOTA V2403	ISUZU C240	KUBOTA V2403		
50	Rated Horsepower / r.p.m.		35.4 / 2500	35.5 / 2600	35.4 / 2500	35.5 / 2600	35.4 / 2500	35.5 / 2600		
51	Rated Torque / r.p.m.		140 / 1800	156.5 / 1600	140 / 1800	156.5 / 1600	140 / 1800	156.5 / 1600		
52	Number of Cylinder		4		4		4			
	Piston Displacement		2369		2434		2369			
	Alternator output		0.54 / 45		0.72 / 60		0.54 / 45			
	Fuel Tank Capacity Type		70		70		70			
55	Transmission		Type		Manual Power-shift		Manual Power-shift			
	Stage		Fwd.-Rvs.		2-2 1-1		2-2 1-1			
57	Operating Pressure		For Attachments		MPa		17.7			

NOTE : \* Computed values.

		TCM						
		FHD20C3A	FHD20T3A	FHD25C3A	FHD25T3A	FHD30C3A	FHD30T3A	FD35T3S
		2000		2500		3000		3500
		500		500		500		500
		Diesel		Diesel		Diesel		Diesel
		Seated		Seated		Seated		Seated
		Pneumatic		Pneumatic		Pneumatic		Pneumatic
		2X / 2		2X / 2		2X / 2		2X / 2
		3000		3000		3000		3000
		110		110		165		170
		1070 x 122 x 40		1070 x 122 x 40		1070 x 125 x 45		1070 x 150 x 50
		1020 / 245		1020 / 245		1090 / 250		1090 / 300
		6 / 12		6 / 12		6 / 12		6 / 12
		2485		2555		2705		2800
		1150		1150		1225		1290
		2030		2030		2075		2135
		4030		4030		4260		4255
		2070		2070		2090		2140
		2130		2130		2150		2200
		1045		1045		1070		1120
		2170		2240		2400		2470
		450		450		480		495
		435		505		525		605
		3890		3960		4150		4235
		18.5		18		18.5		19
		19		18.5		19		19.5
		630		630		520		460
		670		670		590		490
		450		450		450		420
		550		550		450		450
		14.8		23.5		14.8		20.6
		8.3		8.3		9.8		10.8
		26		36		22		30
		20		20		20		17
		3350		3700		4390		4940
		4690		5400		6410		7290
		660		800		980		1150
		1510		1420		1690		1740
		1840		2280		2700		3200
		2 / 2		2 / 2		2 / 2		2 / 2
		7.00-12-12PR(I)		7.00-12-12PR(I)		28 x 9-15-12PR(I)		250-15-16PR(I)
		6.00-9-10PR(I)		6.00-9-10PR(I)		6.50-10-10PR(I)		6.50-10-12PR(I)
		1600		1600		1700		1700
		970		970		1000		1060
		970		970		970		970
		1000		1000		1220		1220
		1005		1005		1005		1005
		1110		1110		1130		1180
		530		530		560		610
		435 / 650		435 / 650		460 / 680		485 / 730
		110		110		140		145
		120		120		145		190
		Hydraulic-Foot pedal		Hydraulic-Foot pedal		Hydraulic-Foot pedal		Hydraulic-Foot pedal
		Mechanical-Hand lever		Mechanical-Hand lever		Mechanical-Hand lever		Mechanical-Hand lever
		12 / 64		12 / 64		12 / 64		12 / 64
		NISSAN DIESEL / QD32		NISSAN DIESEL / QD32		NISSAN DIESEL / QD32		NISSAN DIESEL / QD32
		44 / 2300		44 / 2300		44 / 2300		44 / 2300
		189 / 1800		189 / 1800		189 / 1800		189 / 1800
		4		4		4		4
		3153		3153		3153		3153
		0.72 / 60		0.72 / 60		0.72 / 60		0.72 / 60
		70		70		70		70
		Manual		Power-shift		Manual		Power-shift
		2-2		1-1		2-2		1-1
		17.7		17.7		17.7		17.7

**Wide View Mast**

**Wide View Mast VM**

Mast Model	Rated Capacity/ 500mm load center (kg)				Max. Fork Height	Overall Mast Height			Tilting Angle F/B	(1) Service weight(kg)						
	FG20T3 / FD20T4		FG25T3 / FD25T4			Lowered	(1)Raised with Backrest	(2)Free lift with Backrest		Tilting Angle F/B	FG20T3			FG25T3		
	FG20C3 / FD20C3Z		FG25C3 / FD25C3Z								S	DD	SDD	S	DD	SDD
	PNEUMATIC	UNIQUE(SE)	PNEUMATIC	UNIQUE(SE)							mm	mm	mm	deg	S	DD
VM250	2000	2000	2500	2500	2500	1780	3530	6-10	3170	3275	3290	3530	3635	3650		
VM270	2000	2000	2500	2500	2700	1880	3730	6-10	3185	3290	3305	3545	3650	3665		
VM300	2000	2000	2500	2500	3000	2030	4030	6-12	3210	3315	3330	3570	3675	3690		
VM330	2000	2000	2500	2500	3300	2180	4330	6-12	3235	3340	3355	3595	3700	3715		
VM350	2000	2000	2500	2500	3500	2280	4530	6-12	3250	3355	3370	3610	3715	3730		
VM375	2000	2000	2500	2500	3750	2405	4780	6-6 *6-12	3270	3375	3390	3630	3735	3750		
VM400	2000	2000	2500	2500	4000	2580	5030	6-6 *6-12	3325	3430	3445	3685	3790	3805		
VM425	1950 *2000	1950 *2000	2450 *2500	2450 *2500	4250	2705	5280	6-6 *6-12	3345	3450	3465	3705	3810	3825		
VM450	1900 *1950	1900 *1950	2150 *2450	2350 *2450	4500	2830	5530	6-6 *6-12	3365	3470	3485	3725	3830	3845		
VM475	1800 *1850	1800 *1850	1850 *2350	2200 *2350	4750	2955	5780	6-6 *6-6	3385	3490	3505	3745	3850	3865		
VM500	1650 *1700	1700	1700 *2250	2000 *2250	5000	3080	6030	6-6 *6-6	3405	3510	3525	3765	3870	3885		
VM550	*1500	*1500	*1700	*1700	5500	3380	6530	*3-6	3585	3600		3945	3960			
VM600	*1300	*1300	*1400	*1400	6000	3630	7030	*3-6	3625	3640		3985	4000			

NOTE :(1) Weight for diesel model: +110kg(C240-V2403)

**Wide View Full Free 2-Stage Mast VFM**

Mast Model	Rated Capacity/ 500mm load center (kg)				Max. Fork Height	Overall Mast Height			(2)Free lift with Backrest	Tilting Angle F/B	(3) Service weight(kg)						
	FG20T3 / FD20T4		FG25T3 / FD25T4			Lowered	(1)Raised with Backrest	(2)Free lift with Backrest			Tilting Angle F/B	FG20T3			FG25T3		
	FG20C3 / FD20C3Z		FG25C3 / FD25C3Z									S	DD	SDD	S	DD	SDD
	PNEUMATIC	UNIQUE(SE)	PNEUMATIC	UNIQUE(SE)								mm	mm	mm	deg	S	DD
VFM250	2000	2000	2500	2500	2500	1780	3530	780	6-10	3225	3330	3345	3585	3690	3705		
VFM270	2000	2000	2500	2500	2700	1880	3730	880	6-10	3245	3350	3365	3605	3710	3725		
VFM300	2000	2000	2500	2500	3000	2030	4030	1030	6-12	3270	3375	3390	3630	3735	3750		
VFM330	2000	2000	2500	2500	3300	2180	4330	1180	6-12	3295	3400	3415	3655	3760	3775		
VFM350	2000	2000	2500	2500	3500	2280	4530	1280	6-12	3310	3415	3430	3670	3775	3790		
VFM375	2000	2000	2500	2500	3750	2405	4780	1405	6-6 *6-12	3330	3435	3450	3690	3795	3810		
VFM400	2000	2000	2500	2500	4000	2580	5030	1580	6-6 *6-12	3390	3495	3510	3750	3855	3870		
VFM425	1950 *2000	1950 *2000	2450 *2500	2450 *2500	4250	2705	5280	1705	6-6 *6-12	3410	3515	3530	3770	3875	3890		
VFM450	1900 *1950	1900 *1950	2150 *2450	2350 *2450	4500	2830	5530	1830	6-6 *6-12	3435	3540	3555	3795	3900	3915		
VFM475	1800 *1850	1800 *1850	1850 *2350	2200 *2350	4750	2955	5780	1955	6-6 *6-6	3455	3560	3575	3815	3920	3935		
VFM500	1650 *1700	1700	1700 *2250	2000 *2250	5000	3080	6030	2080	6-6 *6-6	3475	3580	3595	3835	3940	3955		
VFM550	*1500	*1500	*1700	*1700	5500	3380	6530	2380	*3-6		3660	3675		4020	4035		
VFM600	*1300	*1300	*1400	*1400	6000	3630	7030	2630	*3-6		3700	3715		4060	4075		

NOTE :(1) For height without backrest: -385mm  
 (2) For free lift without backrest: +385mm  
 (3) Weight for without backrest: -20kg  
 Weight for diesel model: +110kg(C240-V2403)

**Wide View Full Free 3-Stage Mast VFHM**

Mast Model	Rated Capacity/ 500mm load center (kg)				Max. Fork Height	Overall Mast Height			(2)Free lift with Backrest	Tilting Angle F/B	(3) Service weight(kg)						
	FG20T3 / FD20T4		FG25T3 / FD25T4			Lowered	(1)Raised with Backrest	(2)Free lift with Backrest			Tilting Angle F/B	FG20T3			FG25T3		
	FG20C3 / FD20C3Z		FG25C3 / FD25C3Z									S	DD	SDD	S	DD	SDD
	PNEUMATIC	UNIQUE(SE)	PNEUMATIC	UNIQUE(SE)								mm	mm	mm	deg	S	DD
VFHM360	2000	2000	2500	2500	3600	1780	4630	780	6-6 *6-10	3365	3470	3485	3725	3830	3845		
VFHM400	2000	2000	2500	2500	4000	1905	5030	905	6-6 *6-10	3395	3500	3515	3755	3860	3875		
VFHM435	1900 *2000	1900 *2000	2200 *2400	2300 *2400	4350	2030	5380	1030	6-6 *6-10	3425	3530	3545	3785	3890	3905		
VFHM480	1700 *1900	1800 *1900	1900 *2300	2200 *2300	4800	2180	5830	1180	6-6 *6-10	3455	3560	3575	3815	3920	3935		
VFHM500	1500 *1800	1750 *1800	1600 *2250	2000 *2250	5000	2280	6030	1280	6-6 *6-10	3480	3585	3600	3840	3945	3960		
VFHM540	1200 *1750	1650 *1750	1300 *2150	1700 *2150	5400	2405	6430	1405	3-6 *3-6	3510	3615	3630	3870	3975	3990		
VFHM600	900 *1650	1100 *1650	950 *1800	1100 *1800	6000	2630	7030	1630	3-6 *3-6	3605	3710	3725	3965	4070	4085		
VFHM650	*1500	*1500	*1550	*1550	6500	2845	7530	1845	*3-3		3765	3780		4125	4140		
VFHM700	*1250	*1250	*1250	*1250	7000	3065	8030	2065	*3-3		3820	3835		4180	4195		

NOTE :(1) For height without backrest: -455mm  
 (2) For free lift without backrest: +455mm  
 (3) Weight for without backrest: -20kg  
 Weight for diesel model: +110kg(C240-V2403)

**NOTE :**

Rated capacity with (\*): Shows capacity with DD: front dual tires.  
 Service weight of VM/VFM550-600 and of VFHM650-700 represents the weight of vehicles equipped with "SDD:special dual tires".  
 Lifting speed with VFM/VFHM mast: with VFM FG 480mm/s with load. 520mm/s without load.  
 with VFHM FG 480mm/s with load. 530mm/s without load.  
 (C240) 440mm/s with load. 500mm/s without load.  
 with VFHM FG 500mm/s with load. 540mm/s without load.  
 with VFHM FG 460mm/s with load. 510mm/s without load.  
 (C240) 440mm/s with load. 520mm/s without load.  
 (C240) 460mm/s with load. 520mm/s without load.  
 Lowering speed with VFM/VFHM mast: 400mm/s with load. 350mm/s without load.  
 Overall vehicle length with VFHM mast: +15mm longer than of standard model with VM/VFM mast.

**Wide View Mast**

**Wide View Full Free 2-Stage Mast VFW (4CYLINDER)**

Mast Model	Rated Capacity/ 500mm load center (kg)				Max. Fork Height	Overall Mast Height			(2)Free lift with Backrest	Tilting Angle F/B	(3) Service weight(kg)						
	FG20T3 / FD20T4		FG25T3 / FD25T4			Lowered	(1)Raised with Backrest	(2)Free lift with Backrest			Tilting Angle F/B	FG20T3			FG25T3		
	FG20C3 / FD20C3Z		FG25C3 / FD25C3Z									S	DD	SDD	S	DD	SDD
	PNEUMATIC	UNIQUE(SE)	PNEUMATIC	UNIQUE(SE)								mm	mm	mm	deg	S	DD
VFW300	1900	1900	2400	2400	3000	2045	4030	1045	6-12	3280	3385	3505	3640	3745	3865		
VFW330	1900	1900	2400	2400	3300	2195	4330	1195	6-12	3310	3415	3535	3670	3775	3895		
VFW350	1900	1900	2400	2400	3500	2295	4530	1295	6-12	3325	3430	3550	3685	3790	3910		
VFW375	1800 *1900	1800 *1900	2350	2350	3750	2420	4780	1420	6-6 6-12	3350	3455	3575	3710	3815	3935		
VFW400	1800 *1900	1800 *1900	2300 *2350	2300 *2350	4000	2595	5030	1595	6-6 6-12	3410	3515	3635	3770	3875	3995		

NOTE :(1) For height without backrest: -455mm  
 (2) For free lift without backrest: +455mm  
 (3) Weight for without backrest: -20kg  
 Weight for diesel model: +110kg(C240-V2403)

**Wide View Full Free 3-Stage Mast VFHW (4CYLINDER)**

Mast Model	Rated Capacity/ 500mm load center (kg)				Max. Fork Height	Overall Mast Height			(2)Free lift with Backrest	Tilting Angle F/B	(3) Service weight(kg)						
	FG20T3 / FD20T4		FG25T3 / FD25T4			Lowered	(1)Raised with Backrest	(2)Free lift with Backrest			Tilting Angle F/B	FG20T3			FG25T3		
	FG20C3 / FD20C3Z		FG25C3 / FD25C3Z									S	DD	SDD	S	DD	SDD
	PNEUMATIC	UNIQUE(SE)	PNEUMATIC	UNIQUE(SE)								mm	mm	mm	deg	S	DD
VHW435	1800 *1900	1850 *1900	2200 *2400	2300 *2400	4350	2045	5380	1045	6-6 6-10	3425	3530	3650	3785	3890	4010		
VHW480	1700 *1900	1800 *1900	1900 *2300	2200 *2300	4800	2195	5830	1195	6-6 6-10	3470	3575	3695	3830	3935	4055		
VHW500	1500 *1800	1750 *1800	1600 *2250	2000 *2250	5000	2295	6030	1295	6-6 6-10	3495	3600	3720	3855	3960	4080		
VHW540	1200 *1750	1650 *1750	1300 *2150	1700 *2150	5400	2420	6430	1420	3-6	3520	3625	3745	3880	3985	4105		
VHW550	1150 *1750	1600 *1750	1250 *2100	1600 *2100	5500	2460	6530	1460	3-6	3530	3635	3755	3890	3995	4115		

NOTE :(1) For height without backrest: -455mm  
 (2) For free lift without backrest: +455mm  
 (3) Weight for without backrest: -20kg  
 Weight for diesel model: +110kg(C240-V2403)

**NOTE :**

Rated capacity with (\*): Shows capacity with DD: front dual tires.  
 Lifting speed with VFM/VFHM mast: with VFM FG 450mm/s with load. 490mm/s without load.  
 with VFHM FG 460mm/s with load. 510mm/s without load.  
 (C240) 440mm/s with load. 480mm/s without load.  
 with VFHM FG 460mm/s with load. 510mm/s without load.  
 (C240) 480mm/s with load. 520mm/s without load.  
 (C240) 450mm/s with load. 500mm/s without load.  
 Lowering speed with VFM/VFHM mast: 420mm/s with load. 380mm/s without load.  
 Overall vehicle length with VFW/VFHW(4CYLINDER) mast: +35mm longer than of standard model with VM mast.

Wide View Mast

Wide View Mast VM

Mast Model	Rated Capacity/ 500mm load center (kg)		Max. Fork Height	Overall Mast Height		Tilting Angle F/B deg	(1) Service weight(kg)		
	FG30T3 / FD30T4 FG30C3 / FD30C3Z			Lowered	(1)Raised with Backrest		FG30T3 FG30C3		
	PNEUMATIC	UNIQUE(SE)	mm			mm	mm	S	DD
VM250	3000	3000	2500	1820	3760	6-10	4210	4245	4360
VM270	3000	3000	2700	1920	3960	6-10	4225	4260	4375
VM300	3000	3000	3000	2075	4260	6-12	4250	4285	4400
VM330	3000	3000	3300	2225	4560	6-12	4275	4310	4425
VM350	3000	3000	3500	2325	4760	6-12	4290	4325	4440
VM375	3000	3000	3750	2450	5010	6-6 *6-12	4310	4345	4460
VM400	3000	3000	4000	2625	5260	6-6 *6-12	4370	4405	4520
VM425	2900 *3000	3000	4250	2750	5510	6-6 *6-12	4390	4425	4540
VM450	2800 *3000	3000	4500	2875	5760	6-6 *6-12	4410	4445	4560
VM475	2750 *2900	2900	4750	3000	6010	6-6 *6-6	4430	4465	4580
VM500	2700 *2850	2850	5000	3125	6260	6-6 *6-6	4455	4490	4605
VM550	*2400	*2400	5500	3425	6760	*3-6	4565	4680	4680
VM600	*2000	*2000	6000	3675	7260	*3-6	4605	4720	4720

NOTE :(1) Weight for diesel model: +120kg(C240-V2403)

Wide View Full Free 2-Stage Mast VFM

Mast Model	Rated Capacity/ 500mm load center (kg)		Max. Fork Height	Overall Mast Height		(2)Free lift with Backrest	Tilting Angle F/B deg	(3) Service weight(kg)		
	FG30T3 / FD30T4 FG30C3 / FD30C3Z			Lowered	(1)Raised with Backrest			FG30T3 FG30C3		
	PNEUMATIC	UNIQUE(SE)	mm			mm	mm	S	DD	SDD
VFM250	3000	3000	2500	1820	3760	600	6-10	4250	4245	4360
VFM270	3000	3000	2700	1920	3960	700	6-10	4265	4260	4375
VFM300	3000	3000	3000	2075	4260	850	6-12	4295	4285	4400
VFM330	3000	3000	3300	2225	4560	1000	6-12	4320	4310	4425
VFM350	3000	3000	3500	2325	4760	1100	6-12	4335	4325	4440
VFM375	3000	3000	3750	2450	5010	1225	6-6 *6-12	4360	4345	4460
VFM400	3000	3000	4000	2625	5260	1400	6-6 *6-12	4425	4405	4520
VFM425	2900 *3000	3000	4250	2750	5510	1525	6-6 *6-12	4445	4425	4540
VFM450	2800 *3000	3000	4500	2875	5760	1650	6-6 *6-12	4465	4445	4560
VFM475	2750 *2900	2900	4750	3000	6010	1775	6-6 *6-6	4490	4465	4580
VFM500	2700 *2850	2850	5000	3125	6260	1900	6-6 *6-6	4510	4490	4605
VFM550	*2400	*2400	5500	3425	6760	2200	*3-6	4565	4680	4680
VFM600	*2000	*2000	6000	3675	7260	2450	*3-6	4605	4720	4720

NOTE :(1) For height without backrest: -520mm  
(2) For free lift without backrest: +520mm  
(3) Weight for without backrest: -30kg  
Weight for diesel model: +120kg(C240-V2403)

Wide View Full Free 3-Stage Mast VFHM

Mast Model	Rated Capacity/ 500mm load center (kg)		Max. Fork Height	Overall Mast Height		(2)Free lift with Backrest	Tilting Angle F/B deg	(3) Service weight(kg)		
	FG30T3 / FD30T4 FG30C3 / FD30C3Z			Lowered	(1)Raised with Backrest			FG30T3 FG30C3		
	PNEUMATIC	UNIQUE(SE)	mm			mm	mm	S	DD	SDD
VFHM360	3000	3000	3600	1825	4860	600	6-6 *6-10	4395	4430	4545
VFHM400	3000	3000	4000	1950	5260	725	6-6 *6-10	4425	4460	4575
VFHM435	2900 *3000	2900 *3000	4350	2075	5610	850	6-6 *6-10	4460	4495	4610
VFHM480	2800 *2900	2800 *2900	4800	2225	6060	1000	6-6 *6-10	4495	4530	4645
VFHM500	2600 *2750	2750	5000	2325	6260	1100	6-6 *6-10	4520	4555	4670
VFHM540	1900 *2650	2500 *2650	5400	2450	6660	1225	3-6 *3-6	4555	4590	4705
VFHM600	1400 *2100	1850 *2100	6000	2675	7260	1450	3-6 *3-6	4650	4685	4800
VFHM650	*1700	*1700	6500	2890	7760	1665	*3-3	4750	4865	4865
VFHM700	*1350	*1350	7000	3110	8260	1885	*3-3	4805	4920	4920

NOTE :(1) For height without backrest: -580mm  
(2) For free lift without backrest: +580mm  
(3) Weight for without backrest: -30kg  
Weight for diesel model: +120kg(C240-V2403)

NOTE :

Rated capacity with (\*): Shows capacity with DD: front dual tires.  
Service weight of VM/VFM550-600 and of VFHM650-700 represents the weight of vehicles equipped with "SDD:special dual tires".  
Lifting speed with VFM/VFHM mast: with VFM FG 420mm/s with load. 440mm/s without load.  
FD(V2403) 410mm/s with load. 440mm/s without load.  
(C240) 400mm/s with load. 410mm/s without load.  
with VFHM FG 430mm/s with load. 450mm/s without load.  
FD(V2403) 420mm/s with load. 460mm/s without load.  
(C240) 420mm/s with load. 430mm/s without load.  
Lowering speed with VFM/VFHM mast: 400mm/s with load. 350mm/s without load.  
Overall vehicle length with VFHM mast: +15mm longer than of standard model with VM/VFM mast.

Wide View Mast

Wide View Full Free 2-Stage Mast VFW (4CYLINDER)

Mast Model	Rated Capacity/ 500mm load center (kg)		Max. Fork Height	Overall Mast Height		(2)Free lift with Backrest	Tilting Angle F/B deg	(3) Service weight(kg)		
	FG30T3 / FD30T4 FG30C3 / FD30C3Z			Lowered	(1)Raised with Backrest			FG30T3 FG30C3		
	PNEUMATIC	UNIQUE(SE)	mm			mm	mm	S	DD	SDD
VFW300	2900	2900	3000	2125	4260	900	6-12	4310	4345	4495
VFW330	2900	2900	3300	2275	4560	1050	6-12	4335	4370	4520
VFW350	2900	2900	3500	2375	4760	1150	6-12	4355	4390	4540
VFW375	2900	2900	3750	2500	5010	1275	6-6 *6-12	4375	4410	4560
VFW400	2900	2900	4000	2675	5260	1450	6-6 *6-12	4440	4475	4625

NOTE :(1) For height without backrest: -580mm  
(2) For free lift without backrest: +580mm  
(3) Weight for without backrest: -30kg  
Weight for diesel model: +120kg(C240-V2403)

Wide View Full Free 3-Stage Mast VFHW (4CYLINDER)

Mast Model	Rated Capacity/ 500mm load center (kg)		Max. Fork Height	Overall Mast Height		(2)Free lift with Backrest	Tilting Angle F/B deg	(3) Service weight(kg)		
	FG30T3 / FD30T4 FG30C3 / FD30C3Z			Lowered	(1)Raised with Backrest			FG30T3 FG30C3		
	PNEUMATIC	UNIQUE(SE)	mm			mm	mm	S	DD	SDD
VHW435	2800 *2900	2900	4350	2125	5610	900	6-6 *6-10	4470	4505	4655
VHW480	2700 *2800	2800	4800	2275	6060	1050	6-6 *6-10	4510	4545	4695
VHW500	2600 *2750	2750	5000	2375	6260	1150	6-6 *6-10	4535	4570	4720
VHW540	1900 *2650	2500 *2650	5400	2500	6660	1275	3-6	4565	4600	4750
VHW550	1900 *2600	2350 *2600	5500	2540	6760	1315	3-6	4575	4610	4760

NOTE :(1) For height without backrest: -580mm  
(2) For free lift without backrest: +580mm  
(3) Weight for without backrest: -30kg  
Weight for diesel model: +120kg(C240-V2403)

NOTE :

Rated capacity with (\*): Shows capacity with DD: front dual tires.  
Lifting speed with VFM/VFHM mast: with VFM FG 360mm/s with load. 420mm/s without load.  
FD(V2403) 380mm/s with load. 410mm/s without load.  
(C240) 370mm/s with load. 390mm/s without load.  
with VFHM FG 380mm/s with load. 430mm/s without load.  
FD(V2403) 390mm/s with load. 430mm/s without load.  
(C240) 310mm/s with load. 410mm/s without load.  
Lowering speed with VFM/VFHM mast: 400mm/s with load. 350mm/s without load.  
Overall vehicle length with VFW/VFHW(4CYLINDER) mast: +35mm/+45mm longer than of standard model with VM mast.





## Wide View Mast

### Wide View Mast VM

Mast Model	Rated Capacity / 500mm load center(kg)		Max. Fork Height mm	Overall Mast Height		Tilting Angle F/B deg	(1) Service weight(kg)	
	FG/D35T3S			Lowerd mm	Raised with Backrest mm		FG35T3S	
	PNEUMATIC	UNIQUE(SE)					S	DD
VM250	3500	3500	2500	1885	3760	6-10	4770	4785
VM270	3500	3500	2700	1985	3960	6-10	4790	4805
VM300	3500	3500	3000	2135	4260	6-12	4820	4835
VM330	3500	3500	3300	2285	4560	6-12	4850	4865
VM350	3500	3500	3500	2385	4760	6-12	4870	4885
VM375	3500	3500	3750	2510	5010	6-6 *6-12	4890	4905
VM400	3500	3500	4000	2685	5260	6-6 *6-12	4960	4975
VM425	3500	3500	4250	2810	5510	6-6 *6-12	4985	5000
VM450	3400	3450	4500	2935	5760	6-6 *6-12	5005	5020
VM475	3400	3400	4750	3060	6010	6-6	5030	5045
VM500	3300	3350	5000	3185	6260	6-6	5055	5070
VM550	*3200	*3200	5500	3485	6760	*3-6		5160
VM600	*2400	*2400	6000	3735	7260	*3-6		5205

NOTE : (1) Weight for diesel model: +120kg (QD32)

### Wide View Full Free 2-Stage Mast VFM

Mast Model	Rated Capacity / 500mm load center(kg)		Max. Fork Height mm	Overall Mast Height		(2)Free lift with Backrest mm	Tilting Angle F/B deg	(3) Service weight(kg)	
	FG/D35T3S			Lowerd mm	(1)Raised with Backrest mm			FG35T3S	
	PNEUMATIC	UNIQUE(SE)						S	DD
VFM250	3500	3500	2500	1885	3760	655	6-10	4860	4875
VFM270	3500	3500	2700	1985	3960	755	6-10	4880	4895
VFM300	3500	3500	3000	2135	4260	905	6-12	4910	4925
VFM330	3500	3500	3300	2285	4560	1055	6-12	4945	4960
VFM350	3500	3500	3500	2385	4760	1155	6-12	4965	4980
VFM375	3500	3500	3750	2510	5010	1280	6-6 *6-12	4995	5010
VFM400	3500	3500	4000	2685	5260	1455	6-6 *6-12	5065	5080
VFM425	3500	3500	4250	2810	5510	1580	6-6 *6-12	5095	5110
VFM450	3400	3400	4500	2935	5760	1705	6-6 *6-12	5120	5135
VFM475	3300	3300	4750	3060	6010	1830	6-6	5145	5160
VFM500	3200	3250	5000	3185	6260	1955	6-6	5175	5190
VFM550	*3000	*3000	5500	3485	6760	2255	*3-6		5285
VFM600	*2400	*2400	6000	3735	7260	2505	*3-6		5340

NOTE : (1) For height without backrest: -445mm  
 (2) For free lift without backrest: +445mm  
 (3) Weight for without backrest: -30kg  
 Weight for diesel model: +120kg (QD32)

### Wide View Full Free 3-Stage Mast VFHM

Mast Model	Rated Capacity / 500mm load center(kg)		Max. Fork Height mm	Overall Mast Height		(2)Free lift with Backrest mm	Tilting Angle F/B deg	(3) Service weight(kg)	
	FG/D35T3S			Lowerd mm	(1)Raised with Backrest mm			FG35T3S	
	PNEUMATIC	UNIQUE(SE)						S	DD
VFHM360	3500	3500	3600	1885	4860	655	6-6 *6-10	4975	4990
VFHM400	3500	3500	4000	2010	5260	780	6-6 *6-10	5010	5025
VFHM435	3500	3500	4350	2135	5610	905	6-6 *6-10	5040	5055
VFHM480	3400	3400	4800	2285	6060	1055	6-6 *6-10	5080	5095
VFHM500	3300	3300	5000	2385	6260	1155	6-6 *6-10	5110	5125
VFHM540	2600 *3200	2700 *3200	5400	2510	6660	1280	3-6 *3-6	5140	5155
VFHM600	1600 *2400	2000 *2400	6000	2735	7260	1505	3-6 *3-6	5250	5265
VFHM650	*2000	*2000	6500	2950	7760	1720	*3-3		5330
VFHM700	*1600	*1600	7000	3170	8260	1940	*3-3		5390

NOTE : (1) For height without backrest: -530mm  
 (2) For free lift without backrest: +530mm  
 (3) Weight for without backrest: -30kg  
 Weight for diesel model: +120kg (QD32)

#### NOTE :

Rated capacity with (\*): Shows capacity with front dual tires.  
 Lifting speed with VFM/VFHM mast: with VFM 390mm/s with load. 410mm/s without load.  
 with VFHM 450mm/s with load. 470mm/s without load.  
 Lowering speed with VFM/VFHM mast: 440mm/s with load. 380mm/s without load.  
 Overall vehicle length with VFHM mast: +15mm longer than of standard model with VM/VFM mast.

## STANDARD EQUIPMENT AND ACCESSORIES

### [Equipment]

Adjustable ORS seat with belt  
 Asbestos-free brake shoe materials  
 Cylinder type bonnet latch with locking function  
 Donaldson dry type cyclopac air-cleaner  
 Drawbar device  
 Durable overhead guard with resin screen  
 Engine auto glow system (Diesel)  
 Engine idle-up device(Gasoline)  
 Flow control valve  
 Fuel water sedimenter (Diesel)  
 Full hydrostatic power steering  
 Full transistorized ignition (Gasoline)  
 Hydraulic oil dipstick  
 Interlock system<sup>1)</sup>  
 ITA class III carriage  
 J-lug pneumatic industrial tires  
 Lift circuit cut-off valve  
 Load backrest  
 Radiator coolant reservoir  
 Return hydraulic filter  
 Suction hydraulic strainer  
 Tilt lock valve  
 Transmission oil dipstick (power shift T/M)  
 Transmission oil filter (power shift T/M)  
 Wide view two stage mast(VM300)  
 1070mm forks  
 2-spool control valve with pressure relief

### [Controls]

Electric shift control lever (direction change)  
 Lift and tilt levers  
 Multi-function switch lever with self-cancelling mechanism (Lighting & turn-signal)  
 Parking brake lever with inter-lock  
 Tilt adjustable steering post  
 Neutral safety mechanism

### [Accessories]

Access-assisted hand grip  
 Back-up buzzer  
 Back-up lights  
 Deluxe floor mat  
 Detachable and portable glove box  
 Electric horn  
 Front combination lights (turn signal, clearance)  
 Head lights - traffic purpose  
 High-mounted rear combination lights  
 Operator tool kit  
 Pen/ Cup holder  
 Side view mirrors

### [Instruments and Switch]

Charge indicator  
 Engine oil pressure warning indicator  
 Fuel gauge  
 Glow indicator (Diesel)  
 Hourmeter  
 Ignition key engine stop (Diesel)  
 Neutral safety switch  
 Fuel water sedimenter indicator (Diesel)  
 Water temperature gauge

#### NOTE :

Meets following major standards and code:  
 ISO 1074 Counter Balanced Lift Trucks, Stability & Safety Test (Int'l)  
 ISO 3691 Powered industrial trucks - safety code  
 JIS D6001 Industrial Lift Trucks (Japan)  
 JIS D6011 Stability & Safety Test (Japan)  
 Overhead guard meets ISO 6055, JIS 6021  
 In conformity with provision of the Machinery Directive 98/37/EC, as amended,  
 and with National implementing legislation:  
 (European and Scandinavian export trucks)  
 Specifications are subject to change without notice and its may vary dependng on markets.  
 Please consult your TCM representative for details.

## OPTIONAL LOADING ATTACHMENT

Alternative fork lengths  
 Alternative lengths fork extension sleeve  
 Bale clamp (LG)  
 Carton clamp(2-3t) (CLG)  
 Crane arm (CA)  
 Drum clamp(2-3t) (DLG)  
 Fork clamp(2-3t) (FLG)  
 Fork positioner hydraulic type(Hook-on/ Integral)(FS)  
 Fork positioner manual type  
 High, wide type load backrest  
 Hinged forks/ scoop (HFS)  
 Load push-pull(2-3t) (PPC)  
 Load stabilizer(2-3t) (STA)  
 Ram attachment (RA)  
 Rotating forks (Hook-on/ Integral type) (RF)  
 Rotating paper roll clamp (Hook-on/ Integral type)(PR)  
 Side-shifter(Hook-on/ Integral) (SS)  
 Sleeve-in hook  
 Wide type fork carriage  
 Wide view full free 2-stage (VFM) mast  
 Wide view full free 3-stage (VFHM) mast  
 Wide view full free 2-stage 4cyl (VFW) mast(2-3t)  
 Wide view full free 3-stage 4cyl (VFHW) mast(2-3t)

## OPTIONAL EQUIPMENT AND ACCESSORIES

### [Equipment]

Auxiliary hydraulic valve modules(max. 5spool)  
 Cabin - panel type(SCBPA)  
 Central greasing system (CL)  
 Color tire (white, green)  
 Dual element aircleaner( ADE )  
 Exhaust purify catalytic muffler(EPM)(Diesel)  
 Fingertip hydraulic valve control (FIT)  
 Fishery industry package (FC)(2-3t)  
 Front dual drive wheels( DD/ SDD )  
 Full open cabine(AW 061)  
 Heater(HR)  
 Heater & defroster (DEF)  
 High capacity radiator - High power model(RAD PF2)  
 Interlock system<sup>1)</sup> (SIL)  
 Lift lock mechanism (VLL)  
 Load sensing valve (VLS)  
 LPG exclusive/ Dual fuel(LPG - Gasoline) package  
 Non-slip differential(power shift T/M)  
 Oil clutch(manual T/M)  
 Overhead exhaust system(TUE)  
 Overhead guard/ High profile  
 Overhead guard/ Low profile  
 Plate fin type radiator(RAD PF)  
 Power clutch(manual T/M)  
 Pre-cleaner engine air intake(CAK B)(Gasoline)  
 Radiator dust screen (fine, medium mesh)  
 Smoke reduction/spark arrester muffler (Diesel)  
 Steel cabin - enclosed type(SCB 001)  
 Synchronised steering mechanism(SRS)  
 Unique cushion tires(SE)  
 Windshield wiper

### [Accessories]

Custom paint-work  
 Fire extinguisher(FE)  
 Rear working light(RWL)  
 Rotating warning light(RLY/RLR)  
 Tilt cylinder boots(TLB)

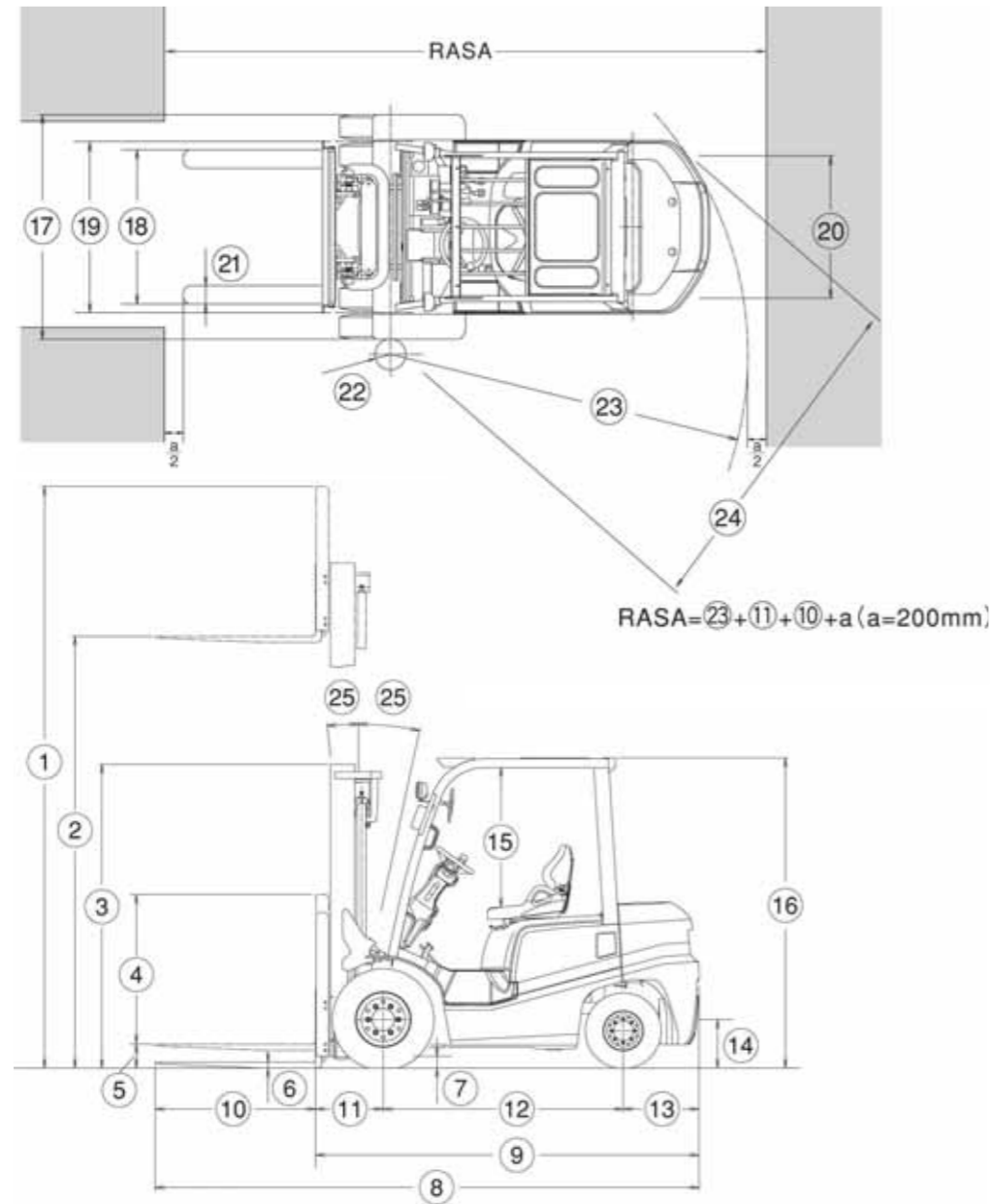
### [Instruments and Switch]

Ammeter (AM)  
 O.K. monitor (fuel level, battery electrolyte level, coolant level, parking brake, air-cleaner, seat-belt)  
 Speedometer (SM)  
 Torque converter oil pressure gauge (TPM)  
 Torque converter oil temperature gauge (power shift T/M)

Others on request

NOTE : 1) STD for EXE/EXN specification

GROUND CLEARANCE	FD / FG20-25	FD / FG30	FD/FG35T3S
	FHD / FHG20-25	FHD / FHG30	mm
Mast	110	140	145
Frame	120	145	190
Front axle	125	145	165
Rear axle	150	175	185
Counter weight	155	185	225



## STANDARD DIMENSIONS

### STANDARD DIMENSIONS

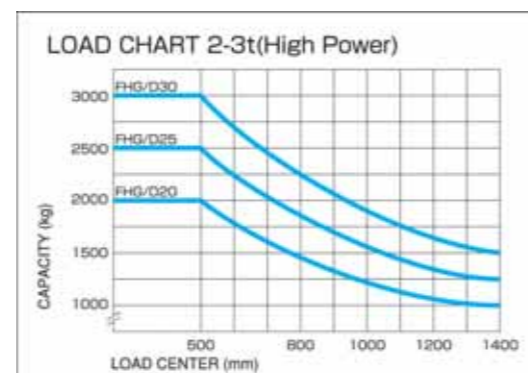
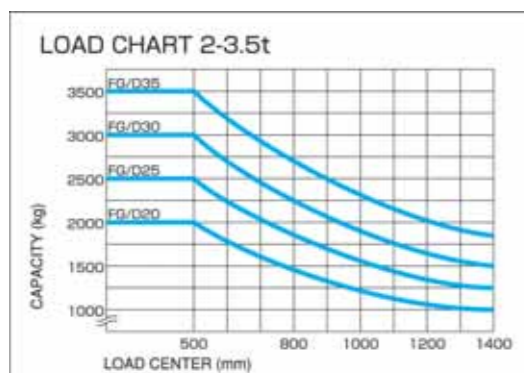
Model	FD / FG20	FD / FG25	FD / FG30	FD/FG35T3S
	FHD / FHG20	FHD / FHG25	FHD / FHG30	mm
① Overall height, fork raised(with backrest)	4030	4030	4260	4255
② Maximum fork height	3000	3000	3000	3000
③ Mast height, fork lowered	2030	2030	2075	2135
④ Backrest height	1000	1000	1220	1220
⑤ Free lift	110	110	165	170
⑥ Fork thickness	40	40	45	50
⑦ Ground clearance(front axle)	125	125	145	145/165
⑧ Overall length(with forks)	3555	3625	3775	3870
⑨ Length to fork face	2485	2555	2705	2800
⑩ Fork length	1070	1070	1070	1070
⑪ Load distance(centerline of front axle to front face of forks)	450	450	480	495
⑫ Wheelbase	1600	1600	1700	1700
⑬ Rear overhang	435	505	525	605
⑭ Drawbar Pin Center Height	530	530	560	610
⑮ Overhead guard clearance(from face of seat)**	1005	1005	1005	1005
⑯ Overall height(overhead guard)**	2070	2070	2090	2140
⑰ Overall width	1150	1150	1225	1290
⑱ Fork spread(outside)	245 - 1020	245 - 1020	250 - 1090	300 - 1090
⑲ Tread (front)	970	970	1000	1060
⑳ Tread (rear)	970	970	970	970
㉑ Fork width	122	122	125	150
㉒ Inside turning radius	160	160	200	200
㉓ Outside turning radius	2170	2240	2400	2470
㉔ Minimum intersecting aisle	2210	2230	2330	2390/2380
㉕ Tilt angles(forward-backward)	6 ° - 12 °	6 ° - 12 °	6 ° - 12 °	6 ° - 12

NOTE : \*\*Oceania(EXC), European(EXE) and Scandinavian export trucks(EXN): +60mm

### DIMENSIONS WITH FRONT DUAL DRIVE WHEELS (option)

Model	FD / FG20	FD / FG25	FD / FG30	FD/FG35T3S
	FHD / FHG20	FHD / FHG25	FHD / FHG30	mm
Tire size (front dual Type: DD)	4 x 5.50-15-8PR(I)		4 x 6.00-15-10PR(I)	
⑰ Overall width	1480	1480	1520	1600
⑲ Tread (front)	1130	1130	1170	1230
㉒ Inside turning radius	100	100	100	100
㉓ Outside turning radius	2240	2310	2430	2540
㉔ Minimum intersecting aisle	2320	2340	2445	2500

Tire size (front dual Type: SDD)	4 x 7.00 -12-12PR(I)		4 x 28 x 9-15-12PR(I)
	mm	mm	mm
⑰ Overall width	1590	1590	1750
⑲ Tread (front)	1190	1190	1260
㉒ Inside turning radius	100	100	100
㉓ Outside turning radius	2280	2350	2500
㉔ Minimum intersecting aisle	2370	2380	2490





# *INOMA*

TCM retains the right to change these products and specifications without incurring any obligation relating to such changes.  
These products and specifications are subject to change without notice.  
Photos and illustrations may or may not include optional equipment and accessories.  
Features and specifications may vary depending on markets.  
Performance data and dimensions are nominal and subject to tolerances.



ISO 9001 Certification  
(TCM Shiga Plant)



ISO 14001 Certification  
(TCM Shiga Plant)

**Manufactured by**

**TCM<sup>®</sup>**

**TCM CORPORATION**

Bellport E  
6-22-7, Minami-Oi, Shinagawa-ku  
Tokyo 140-0013, Japan  
TEL: +81-3-6730-3370  
FAX: +81-3-6730-3371  
<http://www.tcmglobal.net>

**Distributed by**