

## RX 60 Technical Data Electric Forklift Truck

---

[RX 60-25](#)

[RX 60-25/600](#)

[RX 60-25L](#)

[RX 60-25L/600](#)

[RX 60-30](#)

[RX 60-30L](#)

[RX 60-30L/600](#)

[RX 60-35](#)





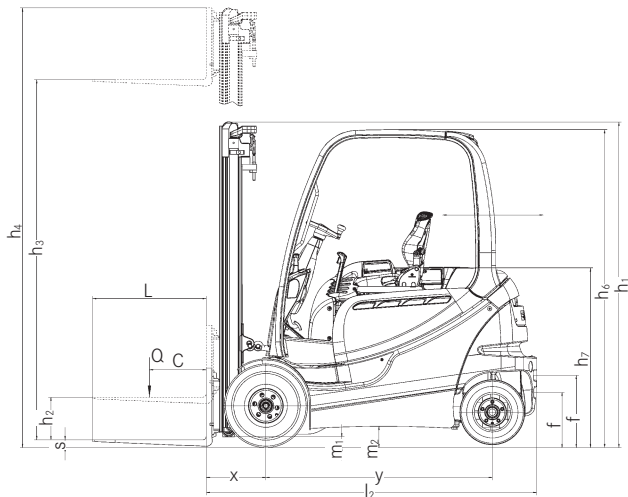
				STILL	STILL	STILL	STILL	STILL	STILL	STILL	STILL	
Distinguishing marks	1.1	Manufacturer										
	1.2	Manufacturer's type designation		<b>RX 60-25</b>	<b>RX60-25/600</b>	<b>RX 60-25 L</b>	<b>RX 60-25L/600</b>	<b>RX 60-30</b>	<b>RX 60-30L</b>	<b>RX 60-30L/600</b>	<b>RX 60-35</b>	
		Manufacturer model number		6345	6346	6347	6348	6353	6354	6355	6356	
	1.3	Drive		Electro	Electro	Electro	Electro	Electro	Electro	Electro	Electro	
	1.4	Operation		Seated	Seated	Seated	Seated	Seated	Seated	Seated	Seated	
	1.5	Nominal load capacity/load	Q	kg	2500	2500	2500	2500	3000	3000	3500	
	1.6	Load centre distance	c	mm	500	600	500	600	500	600	500	
	1.8	Load spacing	x	mm	445	450	445	450	465	465	465	
	1.9	Wheel base	y	mm	1595	1595	1740	1740	1650	1740	1770	
Weights	2.1	Weight incl. battery		kg	4585	4840	4887	4919	5104	5049	5416	
	2.2	Axle weight with front load		kg	6287	6502	6321	6514	7274	7246	7532	
	2.2	Axle weight with rear load		kg	798	838	1066	905	830	803	884	
	2.3	Axle weight without front load		kg	2306	2356	2463	2505	2519	2582	2696	
	2.3	Axle weight without rear load		kg	2279	2484	2424	2414	2585	2467	2720	
Tyres   chassis	3.1	Tyres			Superelastic	Superelastic	Superelastic	Superelastic	Superelastic	Superelastic	Superelastic	
	3.2	Tyre size, front		mm	225/75-10 (23 x 9-10)	225/75-10 (23 x 9-10)	225/75-10 (23 x 9-10)	225/75-10 (23 x 9-10)	250/60-12 (23 x 10-12)	250/60-12 (23 x 10-12)	315/45-12	
	3.2	Tyre size, rear		mm	180/70-8 (18 x 7-8)	180/70-8 (18 x 7-8)	180/70-8 (18 x 7-8)	180/70-8 (18 x 7-8)	180/70-8 (18 x 7-8)	180/70-8 (18 x 7-8)	180/70-8 (18 x 7-8)	
	3.5	Wheels, number, front (x = driven)			2x	2x	2x	2x	2x	2x	2x	
	3.5	Wheels, number, rear (x = driven)			2	2	2	2	2	2	2	
	3.6	Track width, front		b <sub>10</sub>	mm	992	992	992	992	950	950	1002
	3.7	Track width, rear		b <sub>11</sub>	mm	900	900	900	900	900	900	900
Basic dimensions	4.1	Angle of mast/fork carriage, front****		α	°	5	5	5	5	5	5	
	4.1	Angle of mast/fork carriage, back****		β	°	7	7	7	7	7	7	
	4.2	Height of mast when retracted		h <sub>1</sub>	mm	2200	2200	2200	2200	2200	2200	
	4.3	Free lift		h <sub>2</sub>	mm	160	160	160	160	160	160	
	4.4	Lift*		h <sub>3</sub>	mm	3020	3020	3020	3020	3020	3020	
	4.5	Height of mast when extended		h <sub>4</sub>	mm	3650	3800	3650	3800	3800	3800	
	4.7	Height above protected roof (cabin)		h <sub>6</sub>	mm	2210	2210	2209	2209	2212	2212	
	4.8	Seat height in terms of SIP		h <sub>7</sub>	mm	1262	1262	1262	1262	1257	1257	
	4.12	Coupling height		h <sub>10</sub>	mm	485/365	485/365	484/364	484/364	487/367	486/366	
	4.19	Total length		l <sub>1</sub>	mm	3353	3558	3498	3703	3518	3718	
	4.20	Length including fork backs		l <sub>2</sub>	mm	2353	2358	2498	2503	2428	2518	
	4.21	Total width		b <sub>1</sub>	mm	1199	1199	1199	1199	1199	1300	
	4.22	Depth of prongs		s	mm	40	45	40	45	50	50	
	4.22	Width of prongs		e	mm	100	100	100	100	100	100	
	4.22	Length of prongs		l	mm	1000	1200	1000	1200	1000	1200	
	4.23	Fork carriage ISO 2328, class/form A, B				ISO II A	ISO II A	ISO II A	ISO II A	ISO III A	ISO III A	
	4.24	Fork carriage width		b <sub>3</sub>	mm	1040	1040	1040	1040	1100	1100	
	4.31	Ground clearance under mast		m <sub>1</sub>	mm	125	125	125	125	125	125	
	4.32	Ground clearance centre wheel base		m <sub>2</sub>	mm	125	125	124	124	127	127	
	4.34.1	Working aisle width with pallet 1000 x 1200 crossways****		A <sub>st</sub>	mm	3678	3683***	3830	3835***	3760	3850	
4.34.2	Working aisle width with pallet 800 x 1200 lengthways****		A <sub>st</sub>	mm	3877	3882	4030	4035	3960	4050		
4.35	Turning radius		W <sub>a</sub>	mm	2032	2032	2185	2185	2095	2185		
4.36	Smallest pivoting distance		b <sub>13</sub>	mm	539	539	590	590	570	590		
Performance data	5.1	Driving speed with load		km/h	19	19	19	19	19	19	19	
	5.1	Driving speed without load		km/h	20	20	20	20	20	20	20	
	5.2	Lifting speed with load		m/s	0.53	0.52	0.53	0.52	0.43	0.43	0.42	
	5.2	Lifting speed without load		m/s	0.55	0.55	0.55	0.55	0.55	0.55	0.55	
	5.3	Lowering speed with load		m/s	0.54	0.54	0.54	0.54	0.51	0.51	0.51	
	5.3	Lowering speed without load		m/s	0.45	0.45	0.45	0.45	0.45	0.45	0.45	
	5.5	Drawbar pull with load		N	8000	7950	7940	7900	7680	7690	7550	
	5.5	Drawbar pull without load		N	8110	8060	8050	8050	8040	8060	7960	
	5.6	Max. drawbar pull with load		N	17440	17420	17390	17420	17050	17070	17010	
	5.6	Max. drawbar pull without load		N	17220	17090	17210	17130	17240	17270	17110	
	5.7	Gradeability with load		%	21.3	20.4	20.3	20.0	18.1	18.3	17.2	
	5.7	Gradeability without load		%	29.5	29.1	30.2	30.0	29.0	30.1	28.0	
	5.8	Max. gradeability with load		%	25.5	24.0	24.2	24.0	21.7	21.9	20.9	
	5.8	Max. gradeability without load		%	29.7	28.3	30.2	30.0	29.0	30.6	29.3	
5.9	Acceleration time with load		s	4.5	4.6	4.6	4.6	4.7	4.8	4.9		
5.9	Acceleration time without load		s	4.2	4.2	4.2	4.2	4.2	4.2	4.3		
5.10	Service brake				Electric/mechanical	Electric/mechanical	Electric/mechanical	Electric/mechanical	Electric/mechanical	Electric/mechanical		
Electric engine	6.1	Drive motor, output with S2 60 min		kW	15	15	15	15	15	15		
	6.2	Lifting motor, output with S3 15%		kW	16.3	16.3	16.3	16.3	16.3	16.3		
	6.3	Battery according to DIN 43531/35/36 A, B, C, no			DIN 43536 A	DIN 43536 A	DIN 43536 A	DIN 43536 A	DIN 43536 A	DIN 43536 A		
	6.4	Battery voltage		U	V	80	80	80	80	80	80	
	6.4.1	Battery capacity K <sub>s</sub>		Ah	560 - 620	560 - 620	700 - 775	700 - 775	560 - 620	700 - 775	700 - 775	
	6.5	Battery weight		kg	1558	1558	1863	1863	1558	1863	1863	
	6.6	Energy consumption 60 VDI combustion cycles/hour		kWh/h	6.7	6.9	7.2	7.2	7.5	7.7	8.0	
Misc.	10.1	Working pressure for accessory equipment		bar	250	250	250	250	250	250		
	10.2	Oil volume for accessory equipment		l/min	30	30	30	30	30	30		
	10.7	Sound pressure level L <sub>pAZ</sub> (operator's position)**		dB (A)	<70	<70	<70	<70	<70	<70		
	10.8	Human vibrations: acceleration in accordance with EN13059		m/s <sup>2</sup>	<0.7	<0.7	<0.7	<0.7	<0.7	<0.7		
10.8	Trailer coupling, item/DIN type			Bolt	Bolt	Bolt	Bolt	Bolt	Bolt	Bolt		

\* The specified rated lift takes into consideration the tyre deflection and the tolerances of the tyre diameter  
\*\* Without cab. Different values with cab

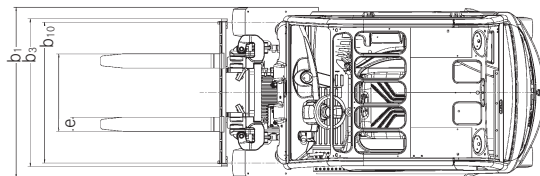
\*\*\* Fork overhang not included  
\*\*\*\* For tele-, NiH<sub>2</sub>- and triplex mast

# RX 60 Electric Forklift Truck

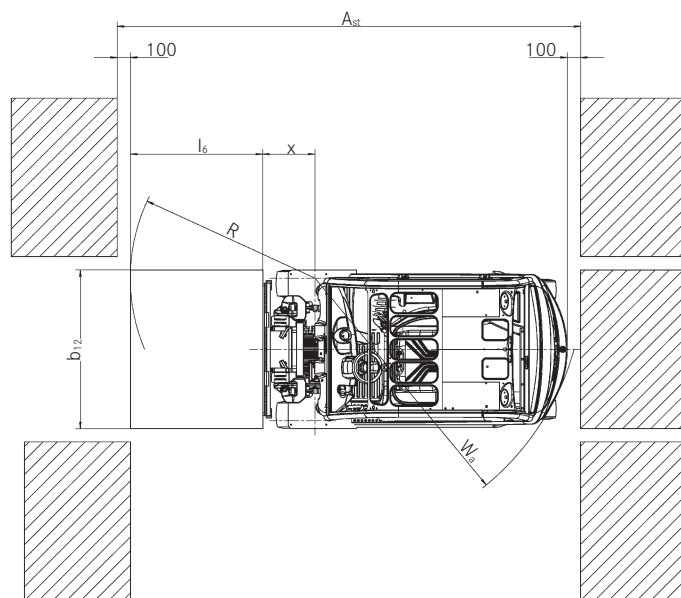
## Technical Drawings



Side view



Top view



Top view

Inclines: maximum distance that can be driven in 60 minutes.

Example: with a load of 2500 kg and an incline of 10%, an RX 60-25 can drive a distance of 600 m up to ten times per hour.

Without load

	RX 60-25	RX 60-25L	RX 60-30	RX 60-30L	RX 60-35	RX 60-25/600	RX 60-25L/600	RX 60-30/600
25%	3770	3320	3020	3020	2120	3380	3320	2480
20%	5340	5110	5030	5030	4090	5120	5110	4430
15%	6480	6180	5990	5990	5810	6180	6180	5920
10%	8280	7900	7710	7890	7260	7910	7900	7450
5%	12400	11480	11690	11680	10880	11900	11480	10980

With load

20%	2670	1790	1400	1400	-	2160	1790	1120
15%	4590	3740	2940	2940	2090	4180	3740	2560
10%	6000	5790	5450	5450	5040	5860	5790	5270
5%	8950	8600	8200	8200	7570	8640	8600	7880

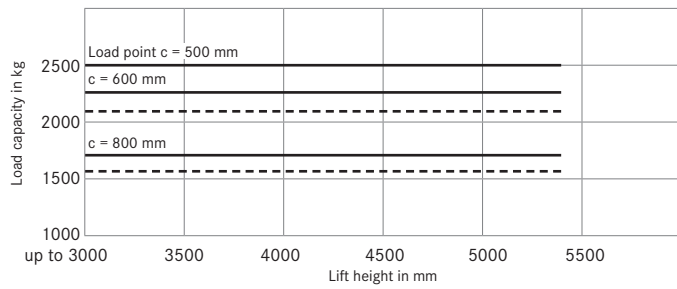
(Dry rough concrete = coefficient of friction 0.8)

(Battery: standard as per specification sheet)

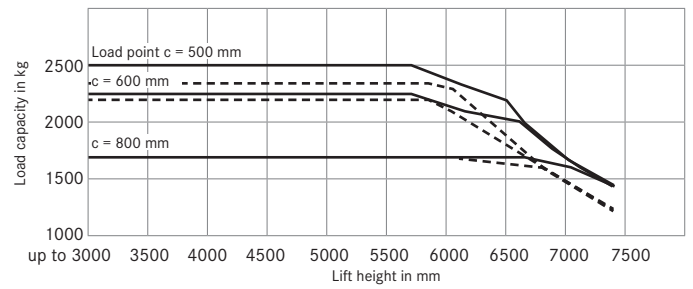
# RX 60 Electric Forklift Truck

## Basic Load Capacities

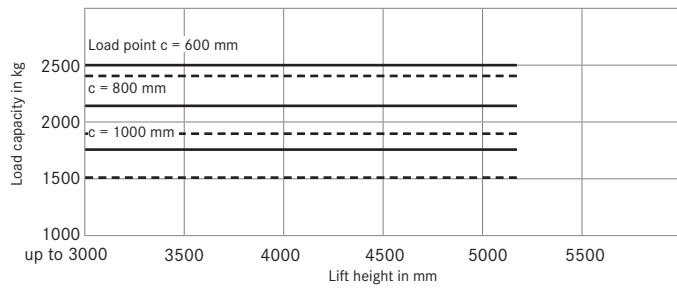
Load capacity RX 60-25 duplex mast



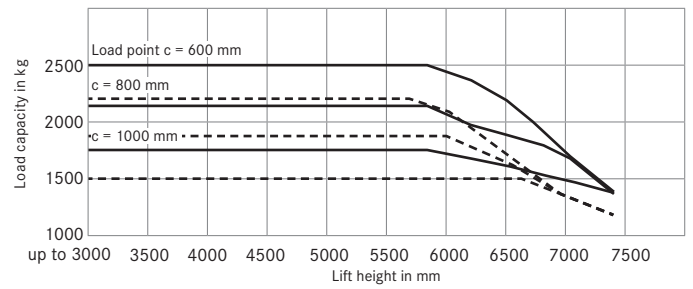
Load capacity RX 60-25 triplex mast



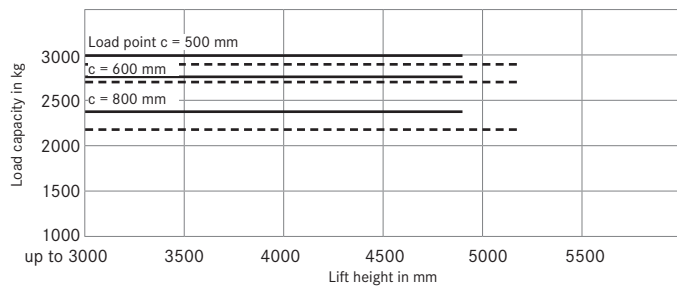
Load capacity RX 60-25/600 duplex mast



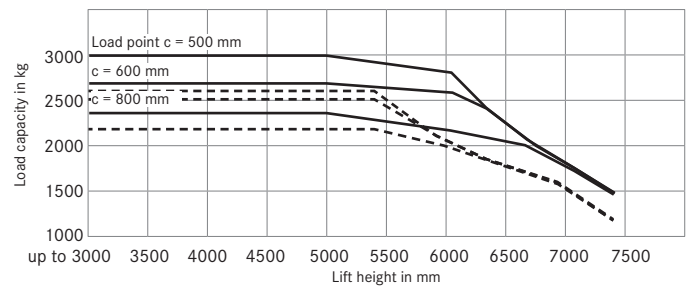
Load capacity RX 60-25/600 triplex mast



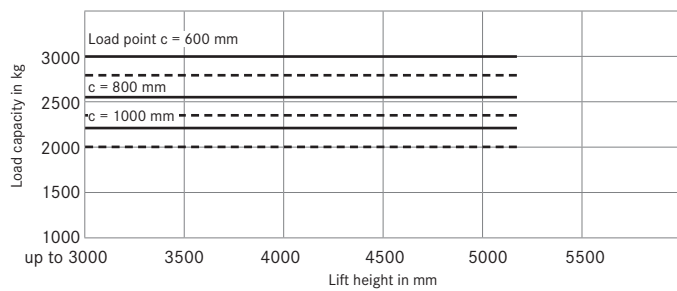
Load capacity RX 60-30L duplex mast



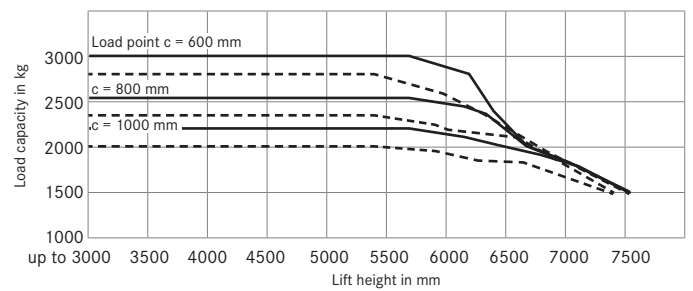
Load capacity RX 60-25/600 triplex mast



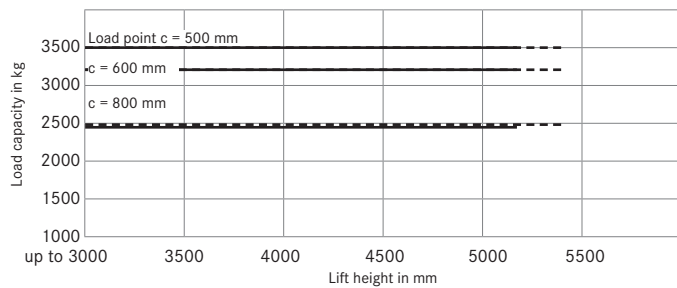
Load capacity RX 60-30/600 duplex mast



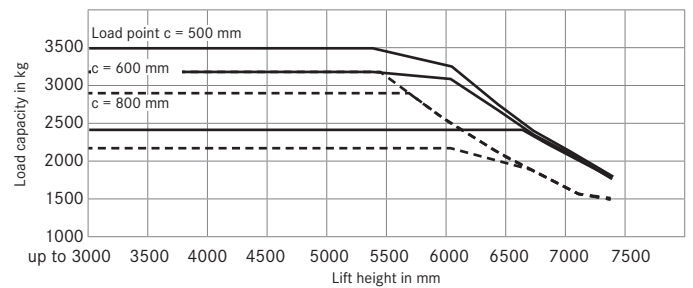
Load capacity RX 60-30/600 triplex mast



Load capacity RX 60-35 duplex mast



Load capacity RX 60-35 triplex mast



— without side shifter      - - - with fitted side shifter

RX 60 Electric Forklift Truck  
Mast Tables



			Telescopic mast		NiHo mast		Triplex mast		
RX 60-25	Nominal lift	h <sub>3</sub>	mm	2870-5170		2940-5190		5540-7540	
	Overall height	h <sub>1</sub>	mm	2125-3275		2100-3275		2525-3225	
	Free lift 4 rollers GT	h <sub>2</sub>	mm	160		1470-2600		1900-2600	
	Free lift 6 rollers GT	h <sub>2</sub>	mm	160		1320-2450		1750-2450	
	Maximum height 4 rollers GT	h <sub>4</sub>	mm	3500-5800		3600-5850		6220-8220	
	Maximum height 6 rollers GT	h <sub>4</sub>	mm	3650-5950		3750-6000		6370-8370	
	Overall length RX 60-25	l <sub>2</sub>	mm		2353			2353	
	Overall length RX 60-25L	l <sub>2</sub>	mm		2498			2498	
	Load spacing	x	mm		445			445	
	Tyres	front/rear			225/75-10//180/70-8			225/75-10//180/70-8	
	Track	front/rear	mm		992//900		992//900	1096//900	
	Maximum width	b <sub>1</sub>	mm		1199		1199	1303	
Fork lock-in position centre-centre		mm		216/368/445/521/673/(820)/(826)/(970)/(1050)					
RX 60-25/600	Nominal lift	h <sub>3</sub>	mm	2870-4070	4170-5170	2940-4190	4290-5190	5040-7540	
	Overall height	h <sub>1</sub>	mm	2125-2725	2775-3275	2100-2725	2775-3225	2325-3225	
	Free lift 6 rollers GT	h <sub>2</sub>	mm	160		1320-1950	2000-2450	1550-2450	
	Maximum height 6 rollers GT	h <sub>4</sub>	mm	3650-4850	4950-5950	3750-5000	5100-6000	5870-8370	
	Overall length RX 60-25/600	l <sub>2</sub>	°					2358	
	Overall length RX 60-25L/600	l <sub>2</sub>	°					2503	
	Load spacing	x	mm					450	
	Tyres	front/rear	mm	225/75-10//180/70-8	250/60-12//180/70-8	225/75-10//180/70-8	250/60-12//180/70-8	225/75-10//180/70-8	
	Track	front/rear	mm	992//900	1050//900	992//900	1050//900	992//900	
	Maximum width	front/rear	mm	1199	1298	1199	1298	1199	
	Fork lock-in position centre-centre		mm		216/368/445/521/673/(820)/(826)/(970)/(1050)				
	RX 60-30	Nominal lift	h <sub>3</sub>	mm	2870-5170		2940-5190		5190-7540
Overall height		h <sub>1</sub>	mm	2125-3225		2100-3225		2375-3225	
Free lift 4 rollers GT		h <sub>2</sub>	mm	-		1440-2570		1720-2570	
Free lift 6 rollers GT		h <sub>2</sub>	mm	160		1320-2450		1600-2450	
Maximum height 4 rollers GT		h <sub>4</sub>	mm	-		3630-5880		5890-8240	
Maximum height 6 rollers GT		h <sub>4</sub>	mm	3650-5950		3750-6000		6020-8370	
Overall length RX 60-30		l <sub>2</sub>	mm		2428			2428	
Overall length RX 60-30L		l <sub>2</sub>	mm		2518			2518	
Load spacing		x	mm		465			465	
Tyres		front/rear			250/60-12//180/70-8			250/60-12//180/70-8	
Track		front/rear	mm		950//900		950//900	1050//900	
Maximum width		b <sub>1</sub>	mm		1199		1199	1298	
Fork lock-in position centre-centre		mm		191/368/572/673/796/876/(978)/(1080)/(1181)/(1304)/(1384)					
RX 60-30/600	Nominal lift	h <sub>3</sub>	mm	2870-4770	4870-5170	2940-4790	4890-5190	4890-7540	
	Overall height	h <sub>1</sub>	mm	2125-3075	3125-3275	2100-3025	3075-3225	2275-3225	
	Free lift 4 rollers GT	h <sub>2</sub>	mm	-		1440-2370	2420-2570	1620-2570	
	Free lift 6 rollers GT	h <sub>2</sub>	mm	160		1320-2250	2300-2450	1500-2450	
	Maximum height 4 rollers GT	h <sub>4</sub>	mm		5650-5950	3630-5480	5580-5880	5590-8240	
	Maximum height 6 rollers GT	h <sub>4</sub>	mm	3650-5550	5650-5950	3750-5600	5700-6000	5190-5570	
	Overall length RX 60-30/600	l <sub>2</sub>	mm					2518	
	Load spacing	x	mm					465	
	Tyres	front/rear			315/45-12//180/70-8 (up to 16 km/h in some cases 250/60-12//180/70-8 also possible)			315/45-12//180/70-8 (up to 16 km/h in some cases 250/60-12//180/70-8 also possible)	
	Track	front/rear	mm	1002//900	1100//900	1002//900	1100//900	1002//900	
	Maximum width	front/rear	mm	1300	1398	1300	1398	1300	
	Fork lock-in position centre-centre		mm		191/368/572/673/796/876/(978)/(1080)/(1181)/(1304)/(1384)				
RX 60-35	Nominal lift	h <sub>3</sub>	mm	2870-4770	4870-5170	2940-4790	4890-5190	4890-7540	
	Overall height	h <sub>1</sub>	mm	2125-3075	3125-3275	2100-3025	3075-3225	2275-3225	
	Free lift 4 rollers GT	h <sub>2</sub>	mm	-		1440-2370	2420-2570	1620-2570	
	Free lift 6 rollers GT	h <sub>2</sub>	mm	160		1320-2250	2300-2450	1500-2450	
	Maximum height 4 rollers GT	h <sub>4</sub>	mm	-		3630-5480	5580-5880	5590-8240	
	Maximum height 6 rollers GT	h <sub>4</sub>	mm	3650-5550	5650-5950	3750-5600	5700-6000	5190-5570	
	Overall length RX 60-35	l <sub>2</sub>	mm		2548			2548	
	Load spacing	x	mm		465			465	
	Working aisle width RX 60-35	A <sub>st</sub>	mm		(1000 x 1200) 3879//(1200 x 800) 4079			(1000 x 1200) 3879//(1200 x 800) 4079	
	Tyres	front/rear			315/45-12//180/70-8			315/45-12//180/70-8	
	Track	front/rear	mm	1002//900	1100//900	1002//900	1100//900	1002//900	
	Maximum width	front/rear	mm	1300	1398	1300	1398	1300	
Fork lock-in position centre-centre		mm		191/368/572/673/796/876/(978)/(1080)/(1181)/(1304)/(1384)					



RX 60 Electric Forklift Truck  
Detailed Photos



Free view with telemast



Free view with triplex mast



Generous storage space



Comfortable and high-quality driver's cab



Well-appointed driver's cab



Visually-optimised and stable crossmember

RX 60 Electric Forklift Truck  
Detailed Photos



Side guard for especially tough applications



Additional load guard



IWS driver restraint system



Battery replacement system (option)

## RX 60 Electric Forklift Truck

### Emissions-free efficiency for every use

---

Excellent visibility thanks to new mast concept

Powerful electrical drive has very low environmental impact and high handling rate

Compact design and excellent mobility



Emissions-free efficiency – from the electric forklift trucks in this product line RX 60-25/35. In addition to being emissions-free, the trucks are extremely powerful with a lifting capacity of 2.5 to 3.5 tonnes, while also being extremely compact and manoeuvrable. This counterbalanced forklift truck has a further visible advantage both indoors and outdoors as the optimal solution for a wide range of transport tasks across all sectors. Thanks to a newly developed mast, the field of vision through the mast has been increased by up to 55 per cent. And the sideways view past the mast sets new standards. Benefits like these make the RX 60-25/35 a flexible and innovative all-purpose forklift truck which is also ideal for multiple-shift use thanks to greater battery capacity and lateral battery changing.

With a maximum travel speed of 20 km/h, this efficient forklift can also transport materials over several hundred meters quickly and reliably. For locations at which heavy loads need to be lifted to great heights, STILL also offers the RX 60 with a load centre of 600 mm and, therefore, a particularly high associated residual load capacity. So the RX 60-35 can lift three whole tonnes to a height of over six metres – which is a great advantage in the drinks industry and many others. The additional range of available accessories such as side shifters, rotators and bulk buckets make the RX 60-25/35 a universal warehouse assistant for all kinds of application area.

## Extensive equipment

---

### Power

---

- Can lift up to three tonnes with a load centre of 600 mm
- Move goods effectively: travel speeds of up to 20 km/h
- Enough power for multiple-shift use: high battery capacity and lateral battery change
- Maintenance-free rotary current drive

### Precision

---

- Choose from various driving programs: select maximum turnaround or maximum efficiency
- Adjust to suit every task: speed, acceleration and braking can all be individually set
- Sensitive operation and smooth lifting speed control: state-of-the-art proportional valve technology and intuitive single-pedal operation
- Precise load handling: driver's seat set to one side giving optimal view past loads

### Ergonomics

---

- Spacious, comfortable driver's cab that can be individually set up and offering numerous storage compartments
- Feel at home: standard, easy-to-use operating concept across the whole RX product line
- Comfortable: simple and safe entry and exit

- Choose from a range of individual control options: multi-lever, mini-lever, touch or Joystick 4Plus

### Compactness

---

- Ideal for use in small spaces: compact vehicle dimensions and extreme manoeuvrability allow for operation in narrow aisles

### Safety

---

- Perfect all-round view: higher driver's seat and large viewing window on all sides, also in protective roof
- Optimum levels of safety thanks to vehicle's low centre of gravity
- Outstanding driving stability when turning

### Environmental responsibility

---

- Low operating costs: low energy consumption and long maintenance intervals
- Emission-free drive
- Blue-Q efficiency mode allows energy savings of up to 20 percent at the press of a button with no loss of performance
- Over 95 percent of all installed materials are recyclable



# RX 60 Electric Forklift Truck

## Equipment Variants



	RX 60-25/-30/-35	RX 60-25L/-30L	RX 60-25/-25L/-30L with LC 600 mm	
Driver's cab	Operating costs kept low thanks to low energy consumption and long service intervals (1000 working hours)	●	●	●
	Dual-pedal control	●	●	●
	Weather-protected, canvas or full cab	○	○	○
	Drive-in overhead guard with makrolon roof	○	○	○
	Driver cab suitable for container loading (height: approx. 2126 mm)	○	○	○
	Tinted front windscreen, rear and roof windows made of either green-tinted or makrolon laminated safety glass, plus windscreen wiper and wash system	○	○	○
	Built-in storage and drink holder	●	●	●
	Splash-proof operating unit featuring display and function buttons	●	●	●
	Pad with clipboard (removable)	○	○	○
	Grammer MSG 65 leatherette cover	●	●	●
	Textile cover, airsprung, leatherette cover, lumbar support, height-adjustable back extension, heated seat	○	○	○
	Swivel seat can be rotated 20 degrees to the right	○	○	○
	Grab handle on protected roof	●	●	●
	Horizontal spring plate for driver's seat to minimise human vibrations	○	○	○
	Document pocket on the seat back	○	○	○
	Roof liner with interior lighting	○	○	○
	Radio/MP3 player with USB connection	○	○	○
	Protective sunshade and sun blind	○	○	○
	Electrical heating 1500 W incl. defrosting blaster	○	○	○
	Adjustable roof window for instant cabin ventilation	○	○	○
Cold storage version, display and hydraulic oil can be used up to -30 degrees	○	○	○	
Mast	Free view mast available in tele, NiHo and triplex versions	○	○	○
	Load backrest	○	○	○
	Mast vertical position	○	○	○
	Hydraulic accumulator in the lifting cylinder to attenuate thrust seats in the hydraulic system	○	○	○
	Bellows protect the tilt cylinder from dust and moisture	○	○	○
	Stroke shut-off via push button	○	○	○
Tyres	Fork wear protection	○	○	○
	Superelastic, single tyres, SIT system	●	●	●
	Superelastic, single tyres, natural colours, SIT system	○	○	○
Hydraulics	Noise-optimised hydraulic pump	●	●	●
	Proportional valve technology for especially sensitive movements	●	●	●
	Individual parametrisation options for hydraulic functions	○	○	○
	Multi-lever operation	●	●	●
Drives	Mini-lever with armrest, 2, 3 or 4 levers, touch or joystick	○	○	○
	5 driving programs and Blue-Q energy saving mode	●	●	●
	Display showing energy consumption and remaining driving time based on current charge	○	○	○
Brake	Maintenance-free drives for driving, steering and lifting; components enclosed to protect against dust and moisture	●	●	●
	Wear-free disc brakes that run in an oil bath	●	●	●
	Energy recovery when braking	●	●	●
	Mechanical parking brake	●	●	●
Safety	Electromechanical parking brake	○	○	○
	Low centre of gravity and steering axle with high self-aligning bearing for optimum levels of safety	●	●	●
	Protective grille roof	○	○	○
	EasyBelt restraint system for quick and safe fastening and unfastening	○	○	○
	Sauerermann restraint system model HRS-E/ERS or IWS restraint system with left-located strap opening	○	○	○
	Headlights and LED lighting performance	○	○	○
	Driver-adjusted speed limiter	●	●	●
	STILL Safety Light warning device, illuminated blue	○	○	○
	Assistance system (ATC - Assistance Truck Control): safe exit/parking and seat belt control	○	○	○
	Assistance system (ATC - Assistance Truck Control): speed limiter controlled by steering angle	○	○	○
	Assistance system (ATC - Assistance Truck Control): speed limited when fork carrier is raised	○	○	○
	Load measuring with ±2% precision	○	○	○
	Panoramic mirror	○	○	○
	Direction can be changed both left- and right-handed via mini-console	○	○	○
	FleetManager: access authorisation, shock detection, reports	○	○	○
Raised driver's compartment by 350 mm for good visibility over high loads, e.g. beverage pallets	○	○	○	

● Standard ○ Option — Not available

# STILL



STILL Materials Handling Ltd  
Aston Way  
Leyland Preston  
PR26 7UX  
Tel.: +44 (0)845 603 6827  
Fax: +44 (0)1772 454668

STILL Materials Handling Ltd  
19 Hennock Road  
Marsh Barton Trading Estate  
Exeter  
EX2 8RU  
Tel.: +44 (0)1392 435151  
Fax: +44 (0)1392 824328  
info@still.co.uk  
For further information please visit:  
[www.still.co.uk](http://www.still.co.uk)



STILL is certified in the following areas: Quality management, occupational safety, environmental protection and energy management.



first in intralogistics