



Doosan Infracore
Forklifts

TECHNICAL SPECIFICATIONS ***4 Wheel Electric Forklift Trucks***

B40X / B45X / B50X-5

4,000kg to 5,000kg Capacity

PRO5
SERIES



4,000/4,500/5,000 kg Capacities

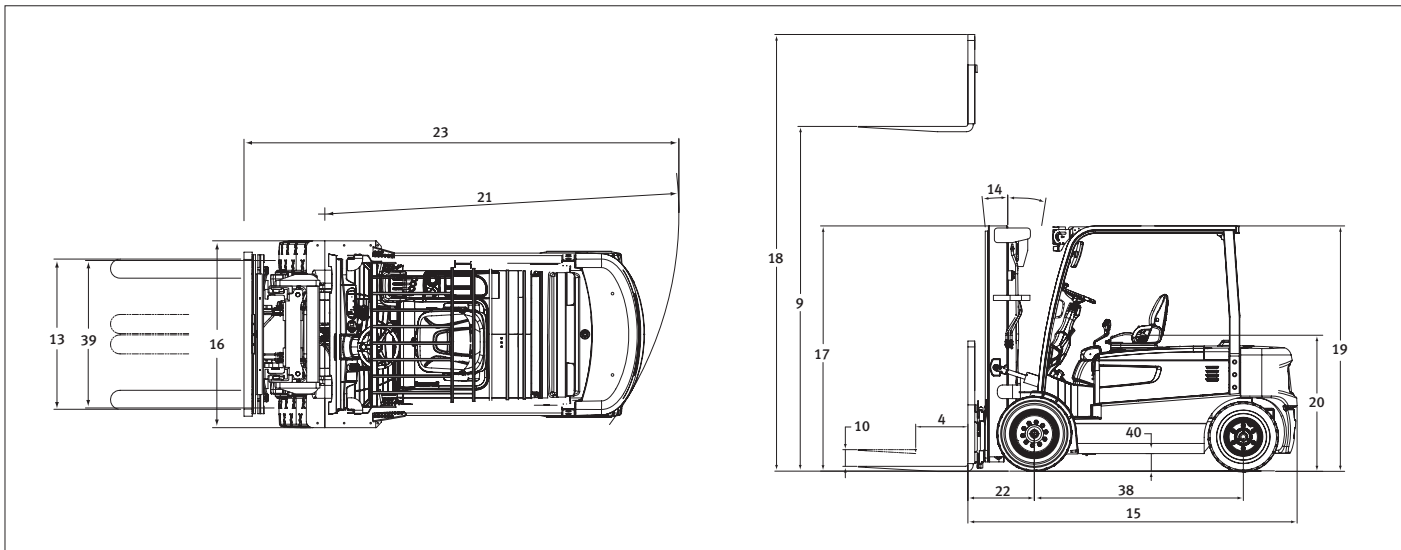
4 Wheel Electric Forklift Trucks

MAIN VEHICLE SPECIFICATIONS

CHARACTERISTICS	1	Manufacture			DOOSAN	DOOSAN	DOOSAN
	2	Model			B40X-5	B45X-5	B50X-5
	3	Load Capacity	at rated load center	kg	4000	4500	5000
	4	Load Center		mm	500	500	500
	5	Power type			electric	electric	electric
	6	Operator type			Driver seated	Driver seated	Driver seated
	7	Tire type	P:Pneu, E:Solid Soft, C: Cush		E	E	E
	8	Wheels (x=Driven)			2x / 2	2x / 2	2x / 2
DIMENSIONS	9	Max. Fork Height	with STD 2-stage mast	mm	3300	3300	3300
	10	Free Lift		mm	150	160	160
	12	Fork Carriage	ISO Class		III	III	III
	13	Forks	Length x Width x Thickness	mm	50 x 150 x 1050	50 x 150 x 1050	50 x 150 x 1050
			Fork Spacing(Min x Max)	mm	310 x 1182	310 x 1182	340 x 1290
	14	Tilt of Mast	Forward / Backward	deg	6 / 9	6 / 9	6 / 9
	15	Overall Dimensions	Length to Fork Face	mm	3062	3062	3092
			Overall Width	mm	1470	1470	1470
			Mast Lowered Height	mm	2330	2340	2340
			Mast Extended Height	mm	4170	4180	4205
			Overhead Guard Height	mm	2330	2335	2335
	19		Seat Height	mm	1282	1288	1288
	21	Turning Radius	Minimum outside	mm	2760	2760	2785
22	Load Moment Center		mm	577	577	577	
23	Aisle 90 degree stacking(add load length & clearance)		mm	4537	4537	4562	
PERFORMANCE	24	Travel Speed	Loaded / Unloaded	km/h	15 / 16	15 / 16	15 / 16
	25	Lifting Speed	Loaded / Unloaded	mm/s	350 / 470	330 / 450	310 / 450
	26	Lowering Speed	Loaded / Unloaded	mm/s	480 / 450	480 / 450	480 / 450
	28	Max. drawbar pull	Loaded / Unloaded(5 min. rating)	kgf	2090 / 2172	1988 / 2090	1876 / 1876
	30	Max. gradeability	Loaded / Unloaded(5 min. rating)	%	19 / 31	17 / 29	15 / 25
	WEIGHT	32	Total Service Weight	with minimum weight of battery	kg	6990	7370
33		Axle Load at Loaded	Front / Rear	kg	9756 / 1234	10151 / 1719	11099 / 1651
34		Axle Load at Unloaded	Front / Rear	kg	3602 / 3388	3228 / 4142	3422 / 4338
CHASSIS		35	Tires	Number of wheels(F/R)		2/2	2/2
	Size, Front			mm	250-15	28x12.5-15	28x12.5-15
	Size, Rear			mm	7.00-12	7.00-12	7.00-12
	38	Wheel Base	Distance	mm	2000	2000	2000
	39	Tread Width	Front	mm	1168	1160	1160
			Rear	mm	1111	1111	1111
	40	Ground Clearance	at the lowest point	mm	130	130	130
			at center of wheelbase	mm	160	160	160
42	Brakes	Service		FOOT/ HYD	FOOT/ HYD	FOOT/ HYD	
		Parking		HAND / MECH	HAND / MECH	HAND / MECH	
POWER TRAIN	45	Battery	Type		DIN43536A	DIN43536A	DIN43536A
			Capacity (5 Hours Rating)	V / AH	80 / 720	80 / 720	80 / 720
			Battery compartment sizes(WxLxH)mm		1028x990x784	1028x990x784	1028x990x784
			Weight (Minimum)	kg	2160	2160	2160
	47	Electric Motors	Drive motor(1 HR Rating)	kW	11X2	11X2	11X2
			Hyd. Motor(15% Duty)	kW	26	26	26
	54	Control Type	Drive and hydraulic	type	Inverter AC	Inverter AC	Inverter AC
57	Relief Pressure	System	bar	155	155	155	
		Attachment	bar	155	155	155	

Note: Specification values quoted in this specification sheet has been rounded. Performance may vary due to operation conditions.
Products and specifications are subject to improvement and change without prior notices.

DIMENSIONAL DRAWING



MAST SPECIFICATIONS and RATED CAPACITIES

B40X-5

Mast Type	Maximum Fork Height	Fully Lowered Height	Fully Extended Height		Free Lift		Soild Soft Tire	
			With Load Backrest	W/O Load Backrest	With Load Backrest	W/O Load Backrest	Tilt Angle	Load Capacities
			mm	mm	mm	mm	deg	LC500mm
STD	3000	2180	4255	3870	150	150	6/9	4000
STD	3300	2330	4555	4170	150	150	6/9	4000
STD	3650	2505	4905	4520	150	150	6/9	4000
STD	4000	2830	5255	4870	150	150	6/9	4000
STD	4250	2955	5505	5120	150	150	6/9	4000
STD	4850	3405	6105	5720	150	150	6/5	4000
FF	3000	2160	4240	3765	960	1435	6/9	4000
FFT	4000	2040	5255	4765	840	1335	6/9	4000
FFT	4250	2130	5520	5030	930	1425	6/9	4000
FFT	4700	2280	5970	5480	1080	1575	6/9	4000
FFT	5150	2430	6420	5930	1230	1725	6/5	4000
FFT	5600	2580	6870	6380	1380	1875	6/3	3875
FFT	6050	2730	7320	6830	1530	2025	6/3	3750

B45X-5

Mast Type	Maximum Fork Height	Fully Lowered Height	Fully Extended Height		Free Lift		Soild Soft Tire	
			With Load Backrest	W/O Load Backrest	With Load Backrest	W/O Load Backrest	Tilt Angle	Load Capacities
			mm	mm	mm	mm	deg	LC500mm
STD	3000	2190	4265	3880	160	160	6/9	4500
STD	3300	2340	4565	4180	160	160	6/9	4500
STD	3650	2515	4915	4530	160	160	6/9	4500
STD	4000	2840	5265	4880	160	160	6/9	4500
STD	4250	2965	5515	5130	160	160	6/9	4500
STD	4850	3415	6115	5730	160	160	6/5	4500
FF	3000	2170	4250	3775	970	1440	6/9	4500
FFT	4000	2050	5265	4770	850	1345	6/9	4500
FFT	4250	2140	5530	5035	940	1430	6/9	4500
FFT	4700	2290	5980	5485	1090	1580	6/9	4500
FFT	5150	2440	6430	5935	1240	1730	6/5	4500
FFT	5600	2590	6880	6385	1390	1880	6/3	4350
FFT	6050	2740	7330	6835	1540	2030	6/3	4225



B50X-5

Mast Type	Maximum Fork Height	Fully Lowered Height	Fully Extended Height		Free Lift		Soild Soft Tire	
			With Load Backrest	W/O Load Backrest	With Load Backrest	W/O Load Backrest	Tilt Angle	Load Capacities
			mm	mm	mm	mm	FWD/BWD	LC500mm
STD	3000	2190	4415	3905	160	160	6/9	5000
STD	3300	2340	4715	4205	160	160	6/9	5000
STD	3650	2515	5065	4555	160	160	6/9	5000
STD	4000	2840	5415	4905	160	160	6/9	5000
STD	4250	2965	5665	5155	160	160	6/9	5000
STD	4850	3415	6265	5755	160	160	6/5	5000
FF	3000	2170	4395	3860	820	1355	6/9	5000
FFT	4000	2050	5410	4870	700	1240	6/9	5000
FFT	4250	2140	5675	5135	790	1330	6/9	5000
FFT	4700	2290	6125	5585	940	1480	6/9	5000
FFT	5150	2440	6575	6035	1090	1630	6/5	5000
FFT	5600	2590	7025	6485	1240	1780	6/3	4825
FFT	6050	2740	7475	6935	1390	1930	6/3	4675

(Apr.2007)



Doosan Infracore
Forklifts

Head Office : 7-11, Hwasu-Dong, Dong-Gu, Incheon, Korea.
 Tel : 82-32-211-5011 Fax : 82-32-211-5412
 Seoul Office : 22nd floor, Doosan Tower Bldg, Euljiro 6-Ga
 Jung-Gu, Seoul, Korea.
 Tel : 82-2-3398-8618 Fax : 82-2-3398-8619
 Web site : <http://iv.doosaninfracore.co.kr/eng>

AUTHORIZED DEALER

Product and specifications are subject to improvement and change without notice.